

DrugDetect-M1



Product

The DrugDetect-M1 Methamphetamine Drug Detector is a handheld, battery-operated non-contact optical scanner for detecting all forms of visible and detectable (prosecutable) amounts of methamphetamine on most surfaces, including skin, clothing, plastics, wood, masonry and metals.

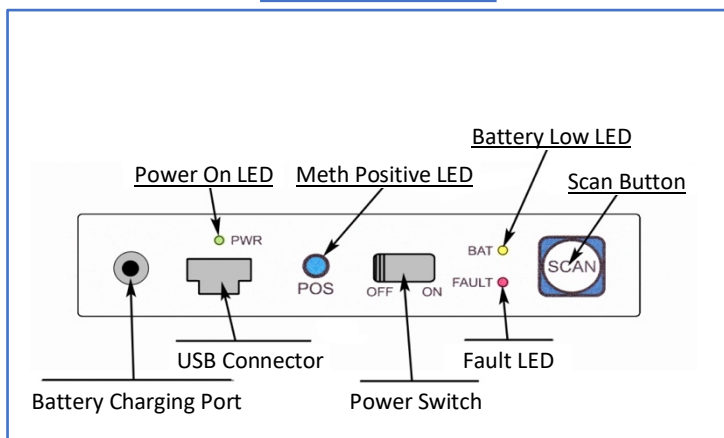
Principles of operation

Photoemission from an optically excited surface is used to detect minute quantities of methamphetamine. This patented device uses an energy source within the instrument to provide optical excitation at the appropriate wavelength and the DrugDetect-M1's detector senses the resulting photoemission.

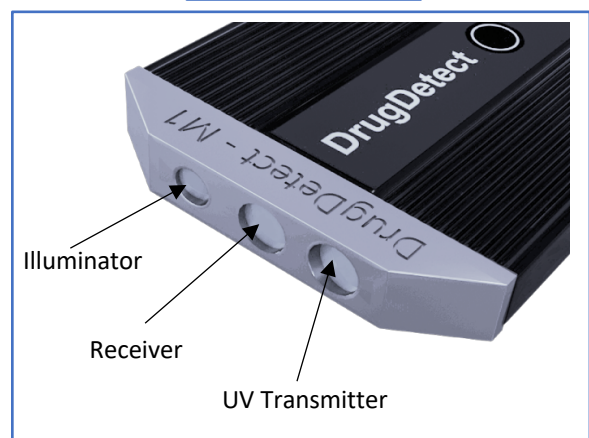
Product Features and Benefits

- Handheld, lightweight, ergonomic design
- Continuous scan, instant results
- Non-contact detection with illumination of the surface being scanned
- Detects through plastic wrap and plastic bags
- Easy to read results – “Positive” indicator – no operator interpretation
- No disposables or chemicals – No messy, expensive “Test Kits”
- Long-life rechargeable battery, virtually no operating cost
- USB interface for storing results/reporting with date/time stamp

Back of Scanner



Front of Scanner



Technical Specification

Substances detected:	Powdered and crystalline methamphetamine, pseudoephedrine w/without adulterants
Sensitivity:	Maximum: 1.5 micrograms/100cm ² (for law enforcement: 0.5% by volume)
Environmental:	-20°C to +60°C [-4°F to 140°F], non-condensing
Display:	Blue LED indicates meth detected + internal beeper
Min/max operating distance:	2.0" to 4.0" (51mm to 102mm)

Optical Specifications

Operating wavelength:	235nm to 450nm
Detection method:	UV Photoemission Reflection Spectroscopy
Scan area indicator:	Red Laser pointer
Active scan area:	0.5" diameter @ 3.5" standoff
Max scanning speed:	10 inches (25.4cm) per second
Photon collection area:	87mm ²
Illumination:	UV LED

Mechanical Specifications

Size:	0.625"(H) x 3"(W) x 6"(L) (1.6cm x 7.7cm x 15.4cm)
Weight:	13Oz. (370g)
Case color:	Black

Display/Controls

Fault Indicator:	Red LED
Meth positive indicator:	Blue LED/beeper
Battery low indicator:	Yellow LED, illuminates when charging is required
Power on indicator:	Green LED, continuously illuminated when unit power is on
Power On/Off	Slide Switch [ON to right]
Data Interface:	Mini-USB connector
Battery Charge:	1.3mm jack [+ = ctr]

Electrical Specifications

Battery life:	125 days with unit off; 10 hours scanning with full charge
Power source:	NiMH rechargeable battery
External charger:	Input: 100-240V/50-60 Hz Output: 12VDC @600mA
Programming interface:	Mini-USB, female
Scan switch:	Membrane on front side and rear panel